

# X5

## Snap-action Microswitches

Ultraminiature

### X5

Characteristics	<ul style="list-style-type: none"><li>■ Small size</li><li>■ Low current</li><li>■ PCB mounting</li><li>■ Micro disconnection</li></ul>
Rating	250 VAC, 1.5 A
Dimensions (mm)	12,8 × 6,5 × 5,8
Actuator	Plunger, plain lever
Approvals	UL, CSA



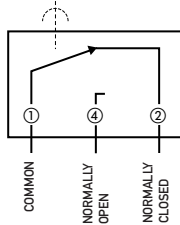
### Preferred Range

Ordering Reference	Actuating Force (N)	Sealing	Operating Position (mm)	Terminal	Circuit	Actuator	Contacts	Electrical Rating
X5G303K1AN	1,5	IP40	5.5 ± 0.3	PCB	CO	Plunger	Silver/silver	250 VAC, 1.5 A, 125 VAC, 3 A
X5G303K1ANJ1	0,5	IP40	7.2 ± 1.5	PCB	CO	Lever	Silver/silver	250 VAC, 1.5 A, 125 VAC, 3 A

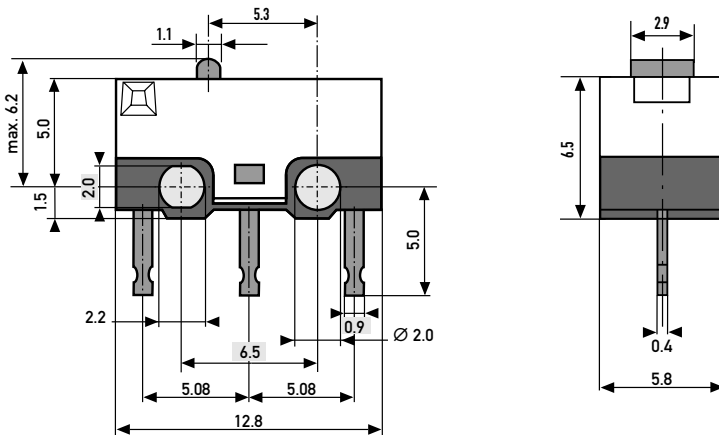
## Specifications

Housing	Thermoplastic
Plunger	Thermoplastic
Mechanism	Snap-action system with steel tension spring functions
Contacts	Silver
Terminals	PCB
Temperature range °C	75° C
Mechanical life	5–10 <sup>5</sup> cycles minimum
Protection	Enclosure IP 40
Mounting	PCB, Side mounting
Actuators	Plunger, lever
Contact carrier	Brass

Circuit diagram



Dimensions



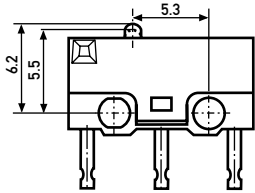
## Recommended maximum electrical ratings

Voltage (VAC)	Resistive load (A)
125	3
250	1.5

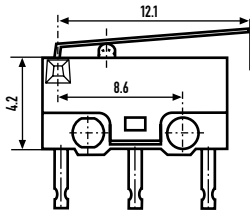
The breaking capacities in the tables refer to silver / silver contacts.

Operating Characteristics

Actuator	Reference	Actuating Force Maximum		Release Force Minimum		Free Position Maximum		Operating Position		Movement Differential		Full Overtravel Position	
		(N)	(ozf)	(N)	(ozf)	(mm)	(in)	(mm)	(in)	(mm)	(in)	(mm)	(in)
Plunger	X5G3	1,5	5,35	0,2	0,72	6,2	0,24	5,5 ± 0,3	0,22 ± 0,01	0,2	0,008	5	0,2



J-Lever	X5G3...J1	0,5	1,80	0,05	0,18	9,5	0,37	7,2 ± 1,5	0,28 ± 0,06	0,8	0,032	5,3	0,21
---------	-----------	-----	------	------	------	-----	------	-----------	-------------	-----	-------	-----	------



Width of lever 3,6 mm/0.14 in

Ordering Reference

X5

Actuating Characteristic	G	Standard force	1,5 N
Circuit	3	Change-over	
Terminals	PCB		
	03	0,9 × 0,4 Vertical	
	10	0,9 × 0,4 Bent to the left = view from leverbearing	
	11	0,9 × 0,4 Bent to the right = view from leverbearing	
Housing design	K	Thermoplastic	lid: black base: copperbrown
Contacts	1	Silver / Silver	
Approval class in accordance with UL/cUL/CSA	A	250 VAC, 1,5 A approved	
	N	125 VAC, 3,0 A approved	
	N	No approvals	
Electrical rating classe in accordance with ENEC	N	No approvals	
Actuator	No digit	Plunger	
	J1	Straight lever	
Actuator length	No digit	Standard type	
	AA to YY	Specials for customers	