

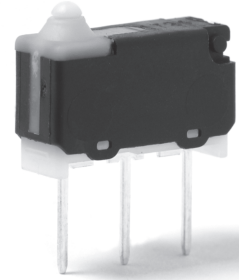
F6

Snap-action Microswitches

Ultraminiature

F6

Characteristics	<ul style="list-style-type: none">■ Small size■ Sealed construction (IP67)■ PCB mounting
Rating	12–30 VDC, 5–300 mA
Dimensions (mm)	14.65 × 9 × 5.35
Actuator	Plunger, plain lever, simulated roller lever
Approvals	None



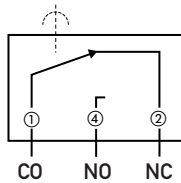
Preferred Range

Ordering Reference	Actuating Force (N)	Sealing	Operating pos. (mm)	Terminal	Circuit	Actuator	Contacts	Electrical rating
F6T85	1.6	IP6K7	10.8 ± 0.2	PCB	CO	Plunger	Gold plated	30 VDC, 300 mA

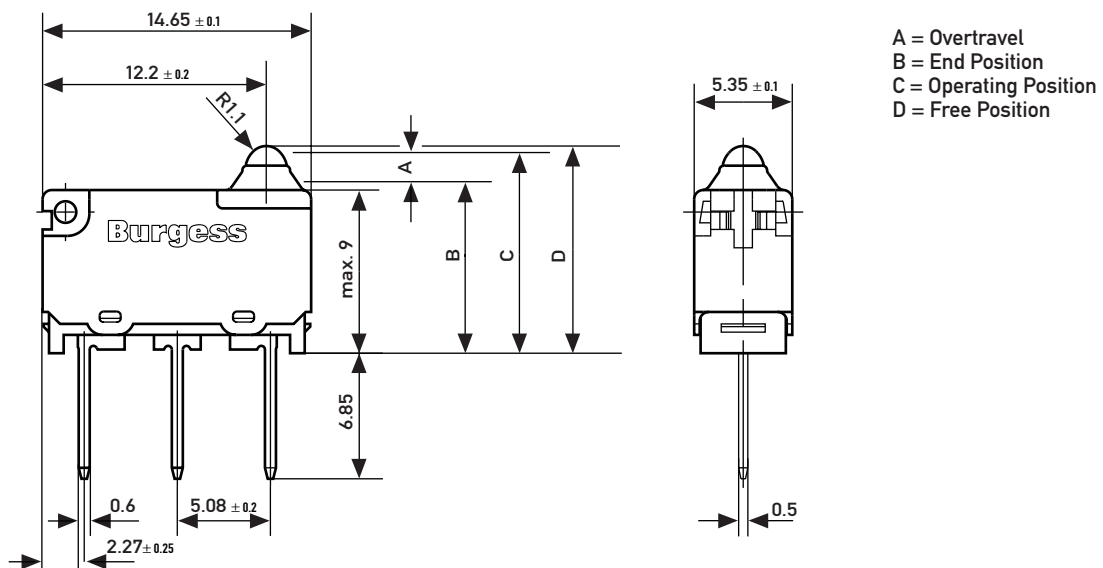
Specifications

Base	PBT
Lid	PP GF30
Plunger	POM
Mechanism	Leaf spring
Contacts	Fine silver / gold plated
Terminals	CuZn silver plated
Temperature range °C	-40°C up to +90°C
Mechanical life	Up to 1 mio. cycles
Protection	IP6K7
Actuators	Ice break levers
Cowl	TPE

Circuit diagram



Dimensions



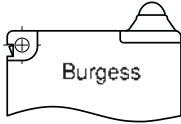
Recommended maximum electrical ratings

Voltage (VDC)	Resistive load (A)	Cycles
F6 12 to 30	0,005 – 0,3	500.000

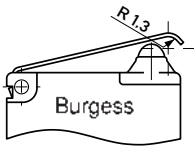
F6

Operating Characteristics

Actuator	Reference	Actuating Force Maximum (N)	Release Force Minimum (N)	Free Position Maximum (mm)	Operating Position (mm)	Movement Differential Maximum (mm)	Total travelled positions Maximum (mm)
Plunger	F6T85	1,6	0,2	11,35	10,8 ± 0,2	0,3	9,5



Actuator	Reference	Actuating Force Maximum (N)	Release Force Minimum (N)	Free Position Maximum (mm)	Operating Position (mm)	Movement Differential Maximum (mm)
H-Lever	F6T85H	2,5	0,5	12,9	11,3 + 0,35	0,45



For positions and forces of this actuator please contact Saia Burgess

Width of lever 3.0 mm/0.12 in

Datum for free position and operating position is button edge of base (stand-off's).
The case should not be used as an end stop.

Ordering Reference

F6

Terminals	T85	PCB
Actuators	No digit	Plunger
	H	Plain lever
Mounting	No digit = without pegs B... Several mounting pegs with a max. length of 1.95 mm and max. Ø of 2.6 mm on request	