

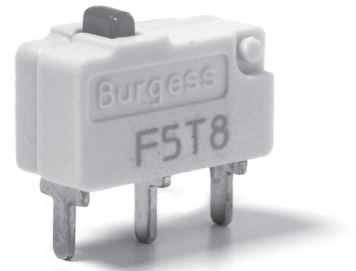
F5

Snap-action Microswitches

Ultraminiature

F5

Characteristics	<ul style="list-style-type: none"> ■ High electrical rating from a very small switch ■ Long mechanical and electrical life ■ PCB terminals ■ Gold-plated contact option ■ UL and CSA approved
Rating	Up to 250 VAC, 5 A
Dimensions (mm)	12.8 × 7.25 × 5
Actuator	Plunger, plain lever, simulated roller (cam follower) lever
Approvals	UL and CSA



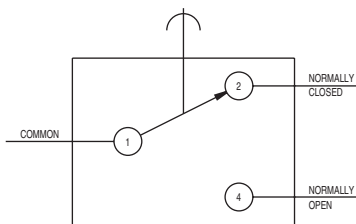
Preferred Range

Ordering Reference	Actuating Force (N) (ozf)		Sealing	Operating pos. (mm) (in)		Terminal	Circuit	Actuator	Contacts	Electrical rating
F5T8UL	1.4	5.00	IP40	8.75	0.34	PCB	CO	Plunger	Silver	Up to 250 VAC, 5 A
F5T8GPUL	1.4	5.00	IP40	8.75	0.34	PCB	CO	Plunger	Gold plate	Up to 250 VAC, 5 A
F5T8Y1UL	0.6	2.20	IP40	8.80	0.35	PCB	CO	Plain lever	Silver	Up to 250 VAC, 5 A
F5T8Y1GPUL	0.6	2.20	IP40	8.80	0.35	PCB	CO	Plain lever	Gold plate	Up to 250 VAC, 5 A
F5T8YCUL	0.7	2.50	IP40	10.90	0.43	PCB	CO	Simulated roller	Silver	Up to 250 VAC, 5 A
F5T8YCGPUL	0.7	2.50	IP40	10.90	0.43	PCB	CO	Simulated roller	Gold plate	Up to 250 VAC, 5 A

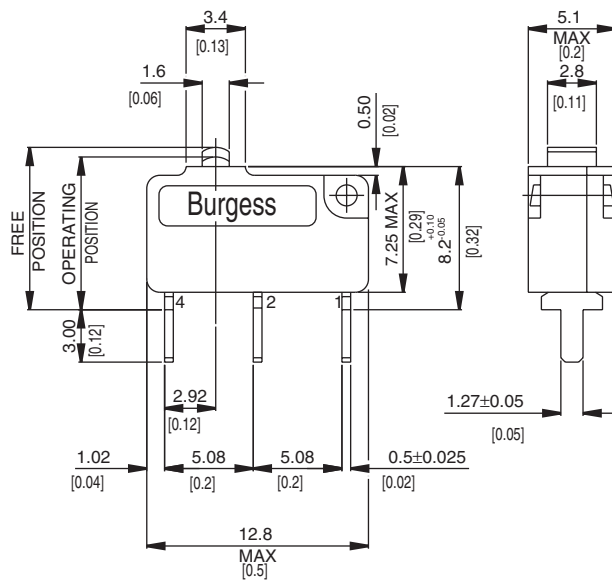
Specifications

Housing	Glass fibre reinforced nylon
Plunger	Nylon
Mechanism	Snap-action, single pole
Functions	Change-over, Normally open
Contacts	Fixed, Moving - Silver or Gold plate on silver
Terminals	PCB - Brass, gold flashed
Temperature range °C	-40°C to +85°C
Mechanical life	10 ⁷ cycles minimum (impact free actuation)
Protection	IP 40 (enclosure)
Mounting	PCB
Actuators	Plain lever; simulated roller (cam follower) lever

Circuit diagram



Dimensions



Recommended maximum electrical ratings

Voltage (max)	Load (A)	Approval
250 VAC	5 (0.75 pf)	UL 1054/CSA 22.2 No. 55 - 6,000 operations
125 VAC	5 (0.75 pf)	UL 1054/CSA 22.2 No. 55 - 6,000 operations
0 - 15 VDC	5	General rating - 50,000 operations
15 - 30 VDC	3	General rating - 50,000 operations

F5 switches are available with either silver or gold-plated silver contacts. Switches with gold-plated contacts are intended for use in circuits where switching is at milliwatt levels. In this case, the power being switched must be limited to avoid the erosion of gold plate from the contact area. However, as the underlying contacts are silver, the same power ratings apply.

Operating Characteristics

Actuator	Reference	Actuating Force		Release Force		Free Position		Operating Position		Movement Differential		Over travel
		Maximum (N)	(ozf)	Minimum (N)	(ozf)	Maximum (mm)	(in)	(mm)	(in)	Maximum (mm)	(in)	
Plunger	F5T8	1.4	5.00	0.25	0.90	9.5	0.37	8,75 ± 0.3	0,34 ± 0.012	0.13	0.005	*
Y1-Lever	F5T8Y1	0.6	2.20	0.07	0.25	10.7	0.42	8,8 ± 1.1	0,35 ± 0.04	0.70	0.030	*
<p>Width of lever 3.0 mm/0.12 in</p>												
YC-Lever	F5T8YC	0.7	2.50	0.09	0.32	12.4	0.49	10,9 ± 0.85	0,43 ± 0.03	0.45	0.020	*
<p>Width of lever 3.0 mm/0.12 in</p>												

Operating characteristics are specified from the terminal shoulder.

* Plunger can be depressed flush with housing. The housing should not be used as an end stop.

Ordering Reference

F5

Terminals	T8	PCB
Circuit	No digit C4	Change-over Normally open
Actuators	No digit Y1 YC	Plunger Plain lever 21.0 mm (0.83 in) Simulated roller 16.9 mm (0.67 in)
Contacts	No digit GP	Silver Gold plate on silver
Approvals	UL	UL and CSA