

XT

Momentary Switches

Door

XT

Characteristics	<ul style="list-style-type: none">■ 8 mm contact gap and 8 mm creepage and air-gaps between individual and accessible parts■ Safe mechanical separation by reset springs■ Optional insulation accessory and key for maintenance purposes
Rating	Up to 400 VAC, 16,5 A
Dimensions (mm)	30 × 32 × 12
Actuator	Shrouded plunger
Approvals	UL, cUL, CSA, ENEC



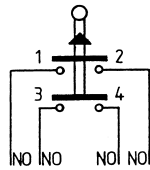
Preferred Range

Ordering Reference	Actuating Force (N)	Actuating Force (ozf)	Operating pos. (mm)	Operating pos. (in)	Terminal	Circuit	Actuator	Contacts	Electrical rating
XTD22AZ1	3,8	13,6	13,0	0,511	Faston	NO	Plunger	Silver nickel	Up to 250 VAC, 15,5 A

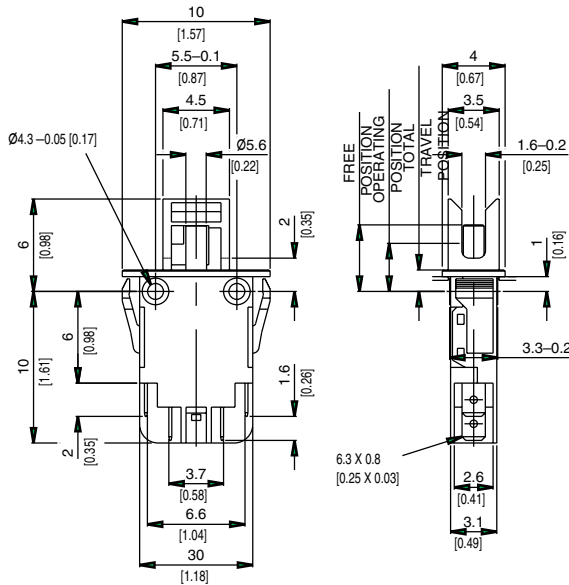
Specifications

Housing	Glass fibre reinforced polyester
Plunger	Glass fibre reinforced polyester
Mechanism	Normally open
Contacts	Silver nickel
Terminals	6.3 mm (0.25 in) faston (quick connect) - brass
Temperature range °C	-20°C to +85°C
Mechanical life	10 ⁶ cycles minimum (impact free actuation)
Protection	IP40 (enclosure)
Mounting	Snap-on or screw mounting
Actuator	Plunger (can be held depressed for maintenance with optional key)
Accessories	Maintenance key N41784 and multiplug housing XTMHSG

Circuit diagram



Dimensions



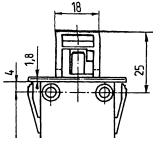
Recommended maximum electrical ratings

Voltage (max)	Load (A)	Inductive load	Horsepower	Approval
125 VAC	15.5 (0.75 pf)	-	-	UL 1054/CSA 22.2 No. 55 - 6,000 operations
250 VAC	15.5 (0.75 pf)	-	-	UL 1054/CSA 22.2 No. 55 - 6,000 operations
125 VAC	-	-	½ HP (0.45 pf)	UL 1054 - Horsepower- 6,000 operations
250 VAC	-	-	½ HP (0.45 pf)	UL 1054 - Horsepower- 6,000 operations
125 VAC	-	-	1½ HP (0.45 pf)	UL 1054 - Horsepower- 6,000 operations
250 VAC	-	-	1½ HP (0.45 pf)	UL 1054 - Horsepower- 6,000 operations
30 VAC	0.5	-	-	EN.60158-1 T85 (°C) 50,000 operations
400 VAC	16.5	8	-	EN.60158-1 T85 (°C) 50,000 operations
30 VDC	0.5	-	-	UL 1054/CSA 22.2 No. 55 - 6,000 operations

XT

Operating Characteristics

Actuator	Reference	Actuating Force		Release Force		Free Position		Operating Position		Total Travel Position		Over travel	
		Maximum (N)	(ozf)	Minimum (N)	(ozf)	Maximum (mm)	(in)	(mm)	(in)	Maximum (mm)	(in)		
Plunger	XTD22AZ1	3.8	13,600	5.8	20.8	18.0	0,708	13.0 ± 0.4	0,511 ± 0.016	10.0	0,394	3.0	0,118
		(± 0.5)	(± 3.5)										
								12.6	0,496				
								(low voltage contact)					



Ordering Reference

Type	XT
Actuating Characteristic	D 3.8 N
Terminals	22 6.3 mm (0.25 in) faston (quick connect) terminals 66 4.8 mm (0.19 in) faston (quick connect) terminals A 100 000 operation cycles
Form	- Without identification: snap-on mounting with shroud J Snap-on mounting without shroud P Without shroud, without snap-on mounting K
Approvals	AZ1 UL, cUL, CSA and ENEC