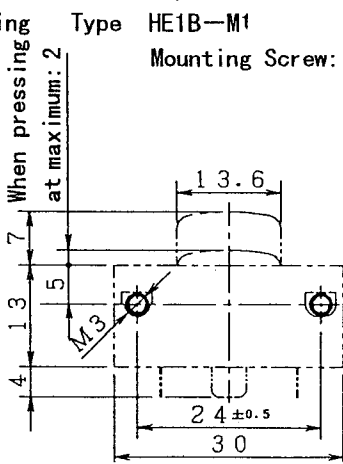


# idcc Type HE1B-M1

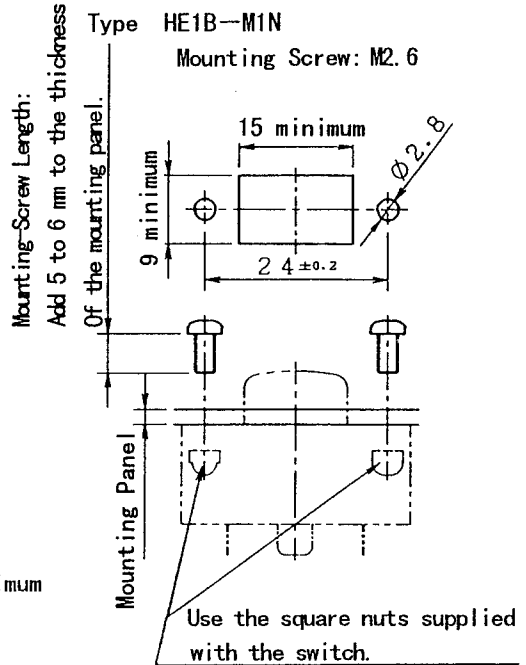
For correct and safe operation, read this instruction sheet before using the switch.

- Mounting Type HE1B-M1  
Mounting Screw: M3

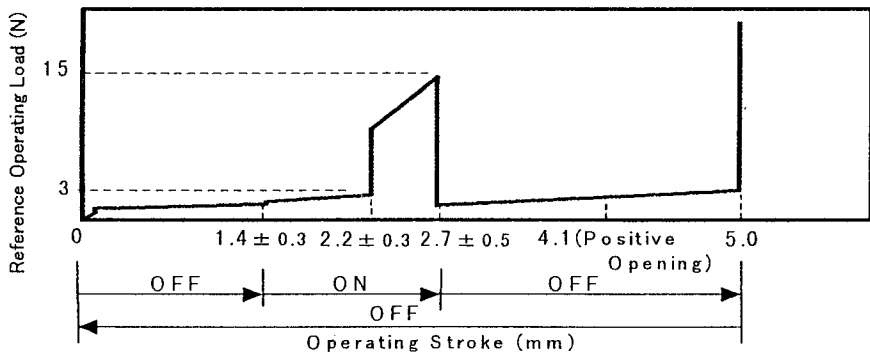


- Recommended Screw Tightening Torque
  - M3 screw : 0.5 to 0.8Nm
  - M2.6 screw : 0.4 to 0.6Nm
- Applicable Wire Size : One 0.5 mm<sup>2</sup> maximum
- Terminal Soldering
  - Apply 260°C for 3 sec maximum.
  - Use non-corrosive liquid rosin as soldering flux.
- Operating Characteristics

- Mounting Type HE1B-M1N  
Mounting Screw: M2.6



Note: If the mounting panel is thicker than 2mm, the button falls below the surface of the mounting panel.



- Circuit Protection : 250V, 10A fuse (Type D01 based on IEC60269-1, -2)
- Precautions for Operation
  - When mounting HE1B-M1, consider sufficient strength of the mounting panel to endure operating load. (When switching from ON to OFF, or positive opening, larger operating force is expected)
  - Strength of the HE1B-M1 operator is 250N. If the operating force over 250N is expected, use an actuator with a stopper for the switch operation.